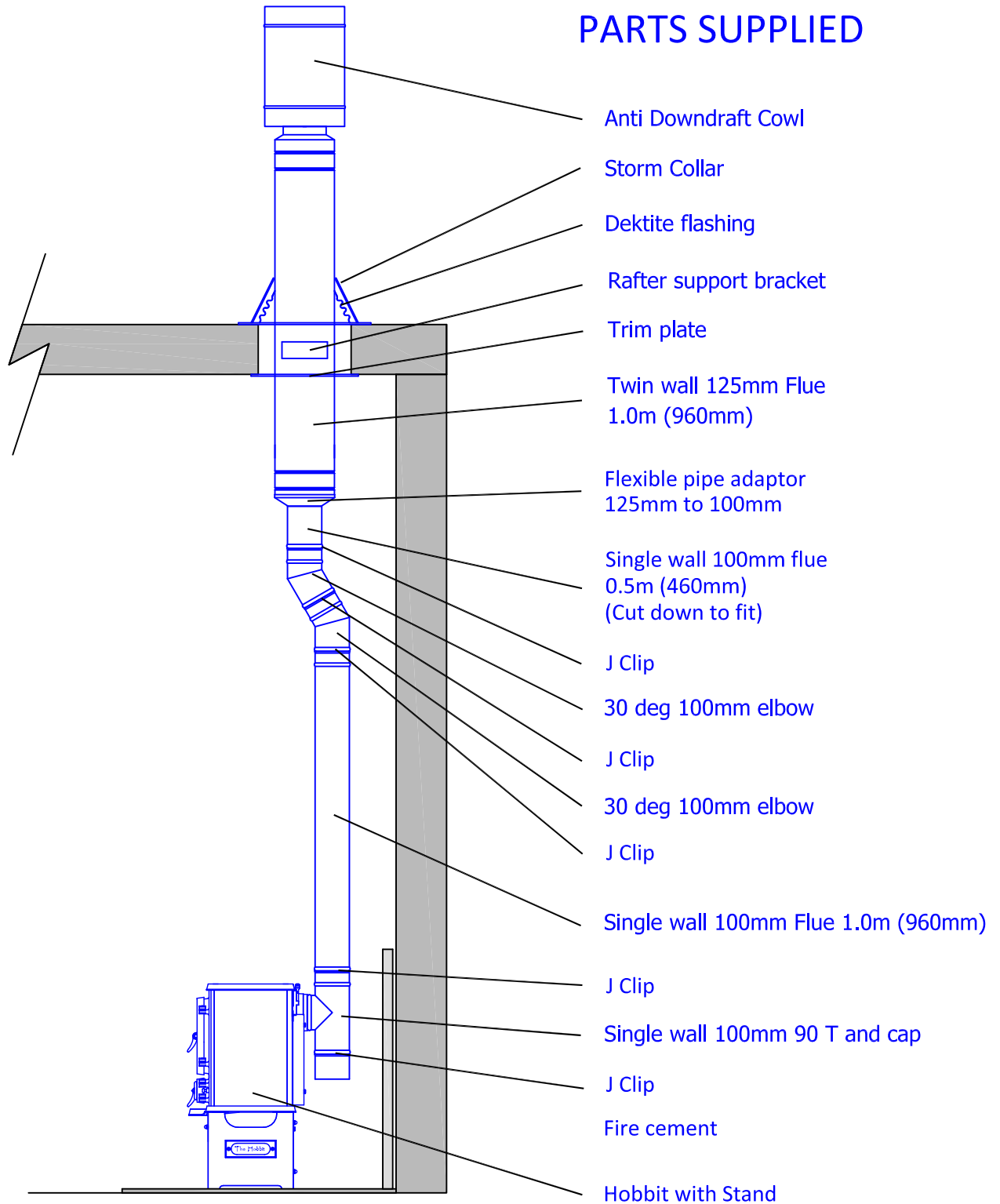




Salamander Stoves Home of The Hobbit



George Clarke's Amazing Spaces - Hobbit and Cabin Flue Kit 24.10.14



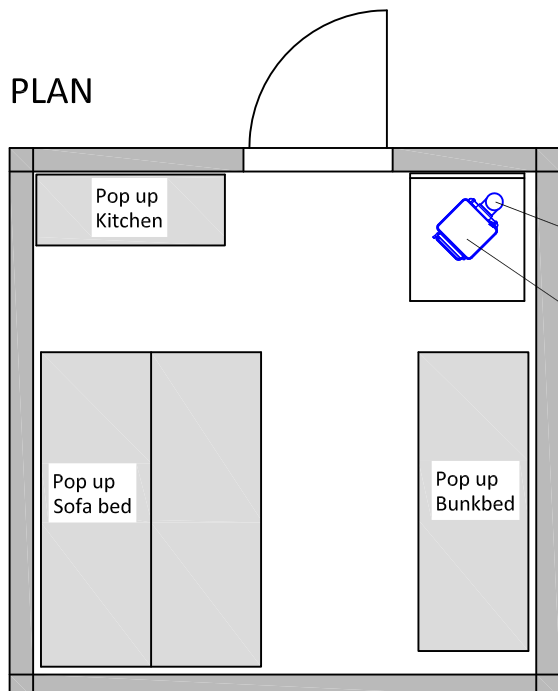


Salamander Stoves Home of The Hobbit



George Clarke's Amazing Spaces - Hobbit and Cabin Flue Kit 24.10.14

PLAN



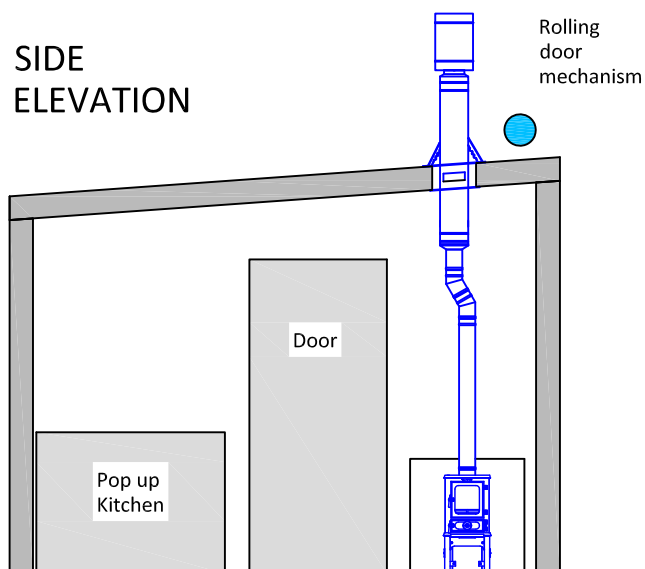
INSTALLATION OPTIONS

Using the rear flue exit will free up the whole of the top of the stove for cooking or boiling a kettle

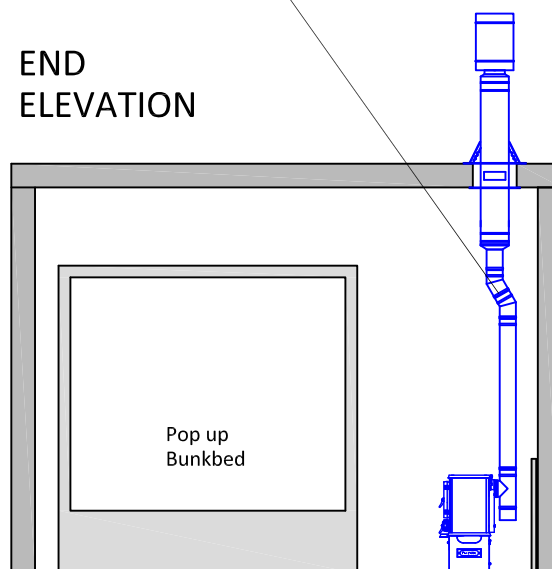
Consider installing the stove facing into the centre of the room. The stove can then be installed closer to the wall

Two 30 degree bends are used to ensure the stove and flue can be positioned to miss the rolling door mechanism

SIDE ELEVATION



END ELEVATION





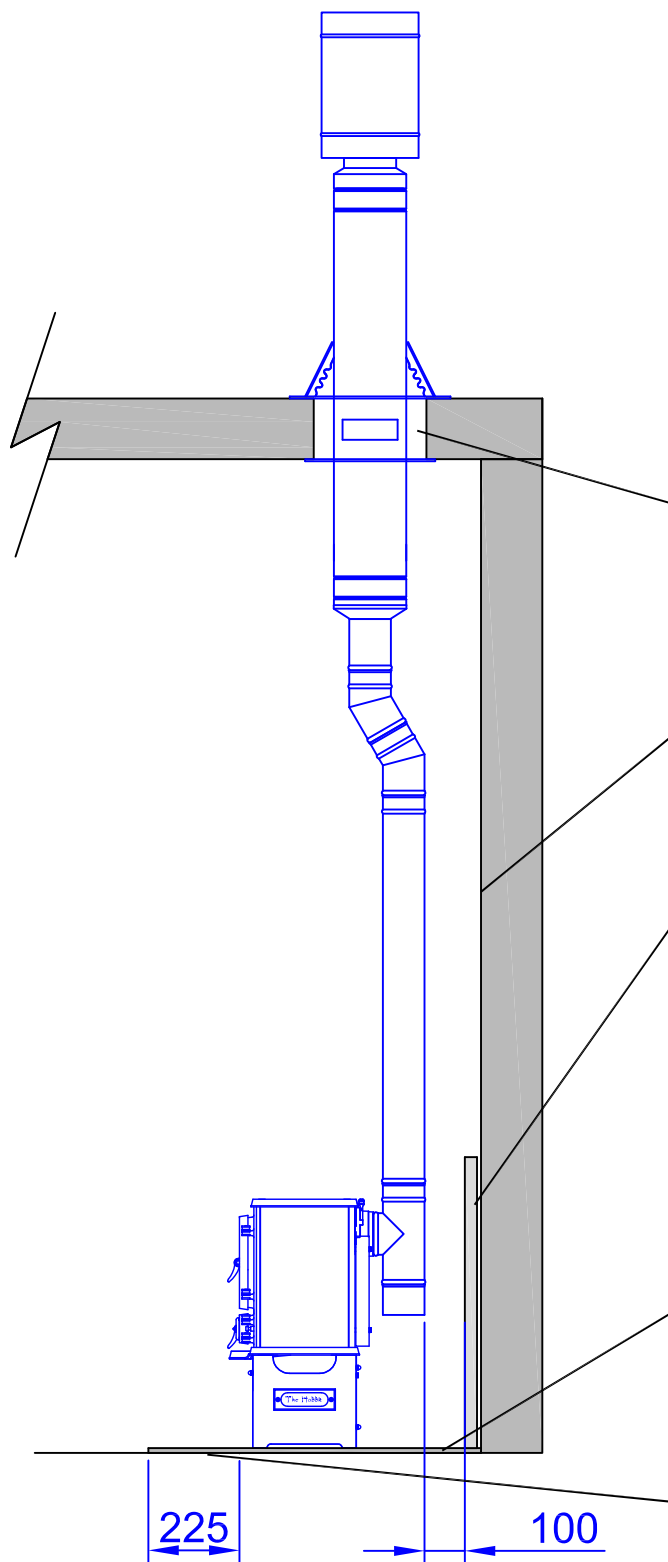
Salamander Stoves Home of The Hobbit



George Clarke's Amazing Spaces - Hobbit and Cabin Flue Kit 24.10.14

Notes on installation

*Install the stove in accordance with Part J building regulations and BS 8511
Observe the recommended distances to combustible materials.*



Twinwall 50mm from combustible materials

Consider sheilding if wall combustible

30mm Vermiculite board with 10mm air gap

The minimum air supply required to run the stove is equivalent to an 80mm diameter vent from outside.

12mm Hearth

Hearth projects a min of 225mm in front of stove

