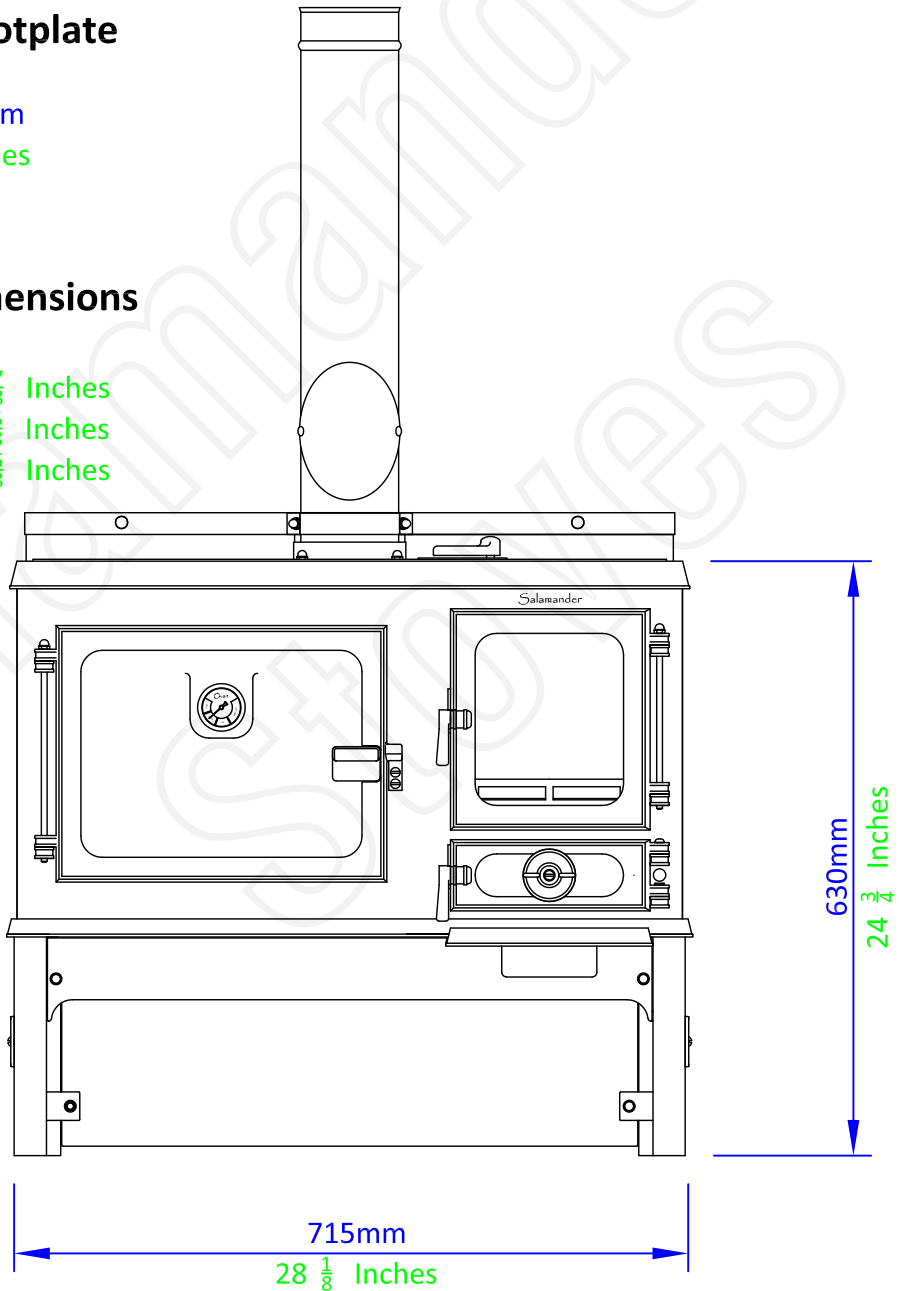


Stainless Steel Hotplate

667mm x 216mm
 26 1/4 x 8 1/2 Inches

Oven Internal Dimensions

Width 300mm 11 7/8 Inches
 Height 220mm 8 5/8 Inches
 Depth 220mm 8 5/8 Inches



The Salamander Range