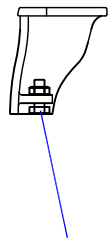


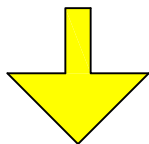


Step 1

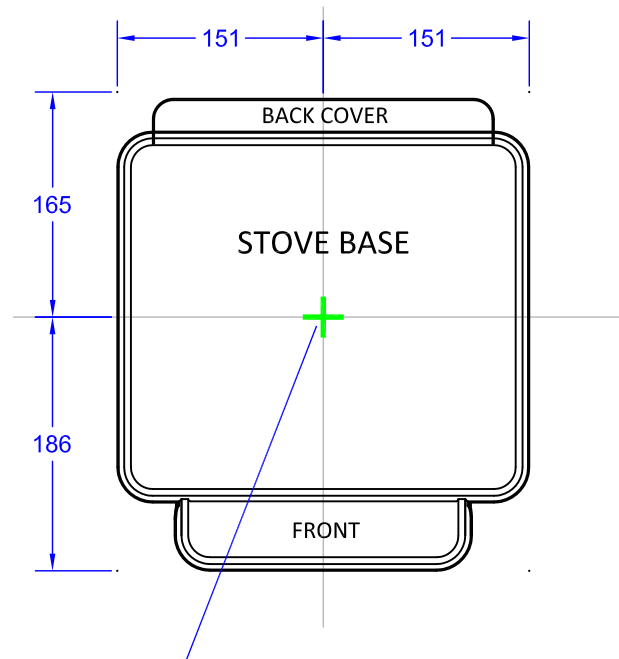


Remove the jacking bolts from the stove feet and drill out the M8 threaded hole with a 10mm drill bit.

Scroll down if you are installing your Hobbit with a stand



Step 2



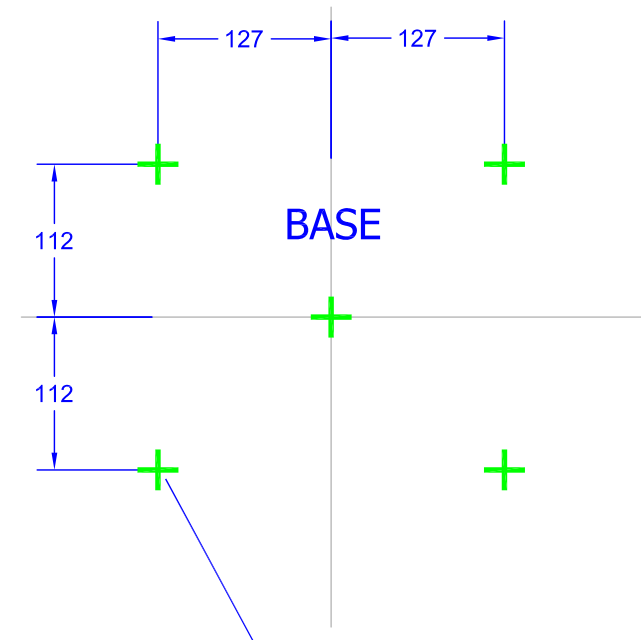
Position the stove on the hearth

Mark the hearth at the centre of the front and centre of the side of the stove

Remove the stove

Mark the centre of the stove base on the hearth as shown.

Step 3



Mark the position for the four mounting bolts on the hearth.

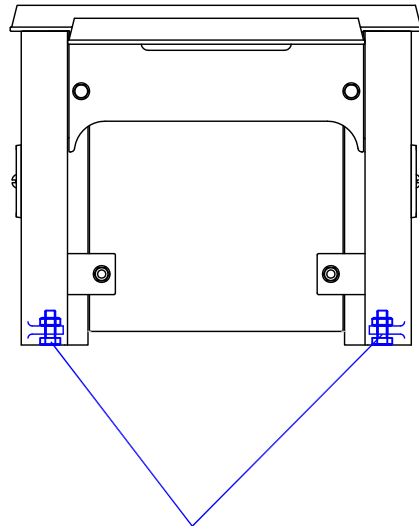
Drill the hearth according to the fixing method to be used (eg rawl bolt, chemical anchor, clearance bolt)

Use M8 thread to bolt through the hole in the stove feet.

How to bolt down your Hobbit stove

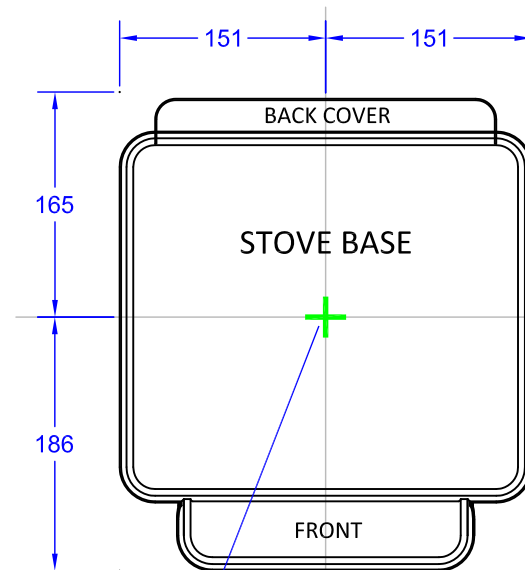


Step 1



Remove the 4 jacking bolts from the stand and drill out the M8 threaded hole with a 10mm drill bit.

Step 2



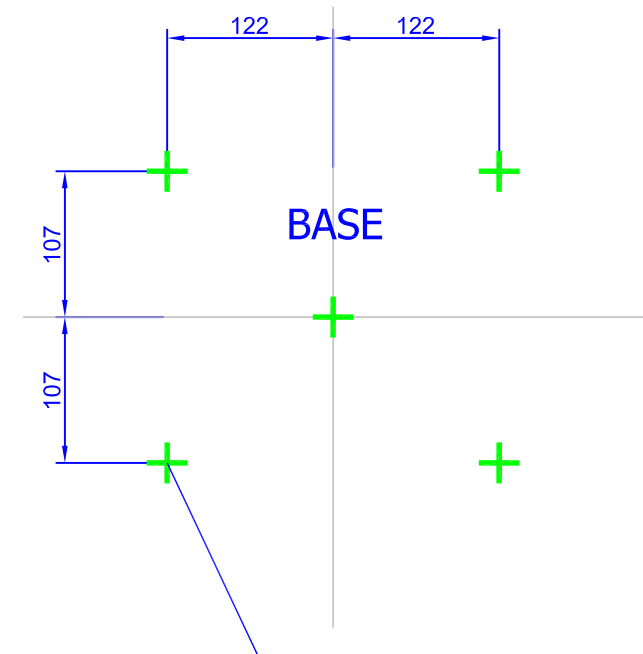
Position the stove on the hearth

Mark the hearth at the centre of the front and centre of the side of the stove

Remove the stove

Mark the centre of the stove base on the hearth as shown.

Step 3



Mark the position for the four mounting bolts on the hearth.

Drill the hearth according to the fixing method to be used (eg rawl bolt, chemical anchor, clearance bolt)

Use M8 thread to bolt through the holes in the stove stand.

How to bolt down your Hobbit stove fitted with a stand