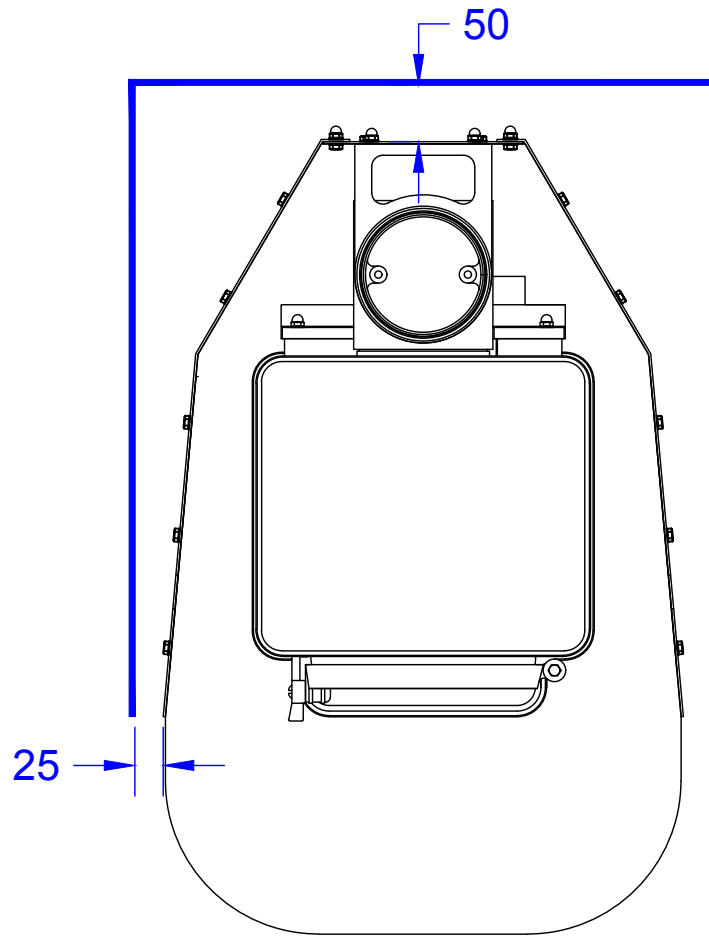
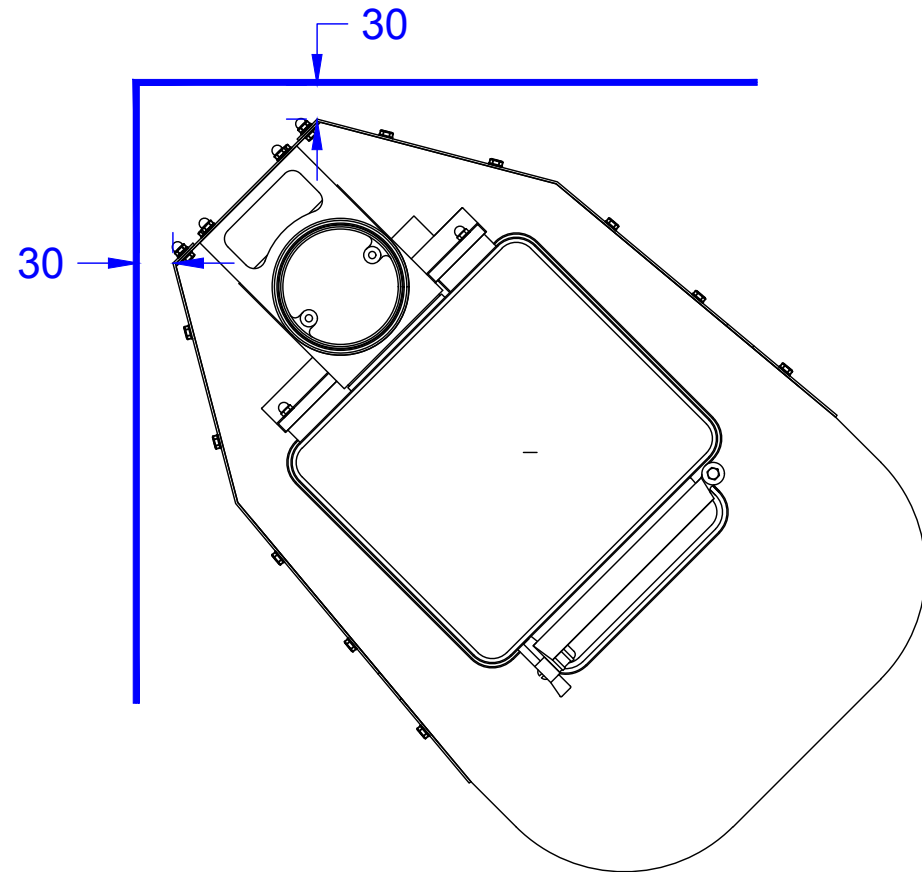




Typical installation
between adjacent units



Typical corner
installation



Minimum distances to combustibile materials
(eg Timber) when installing a Hobbit Stove
within the optional Hobbit Enclosure