

Finest quality small cast iron stoves



## Rear Flue Wedge

If your stove is not already set up for a rear exit flue, then you will need to swap the position of the blanking plate to the top of your stove. The Rear Flue Wedge will sit into the rear of the stove. We have a helpful video below on how to make your stove rear exit followed by a separate video on how to add your Rear Flue Wedge to your stove.

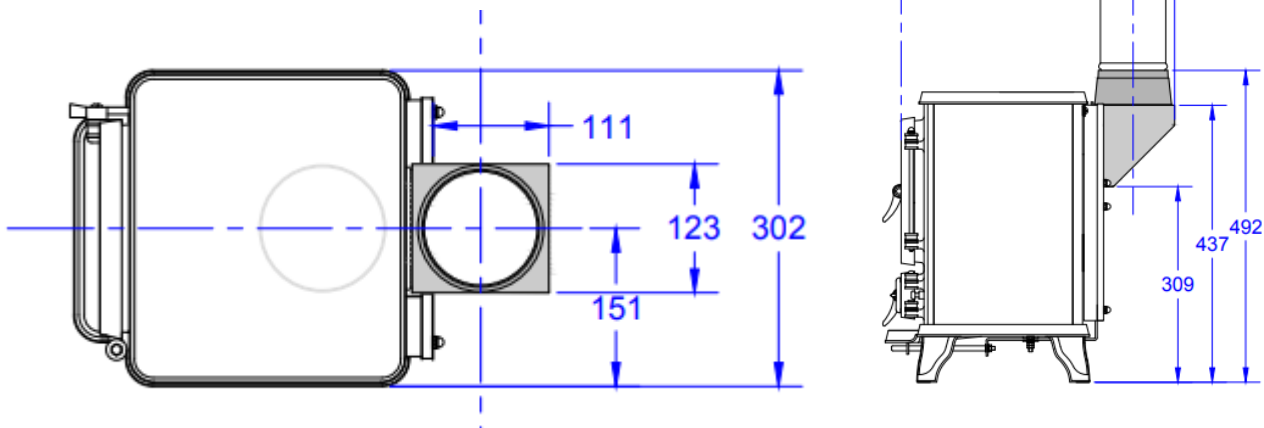
How to make your stove rear exit:

<https://player.vimeo.com/video/759791232>

How to add the Rear Flue Wedge:

<https://player.vimeo.com/video/759862313>

These videos can also be found in the help section on our website.



Please note that the Rear Flue Wedge is to be classed as single wall flue pipe so in this case requires the following clearances:

Combustible material – 300mm clearance

Shielded combustible material – 150mm clearance

### **Shielding:**

*This type of shielding can be used for flue pipes and/or the stove.*

25mm thick shield on a 12mm airgap on spacers **OR** 1.5mm metal shield on a 25mm airgap on spacers

If you are not sure on something or have any questions, please don't hesitate to contact us using the following details:

01626 363507 / 01626 333230

[gillian@salamanderstoves.com](mailto:gillian@salamanderstoves.com)

[alex@salamanderstoves.com](mailto:alex@salamanderstoves.com)