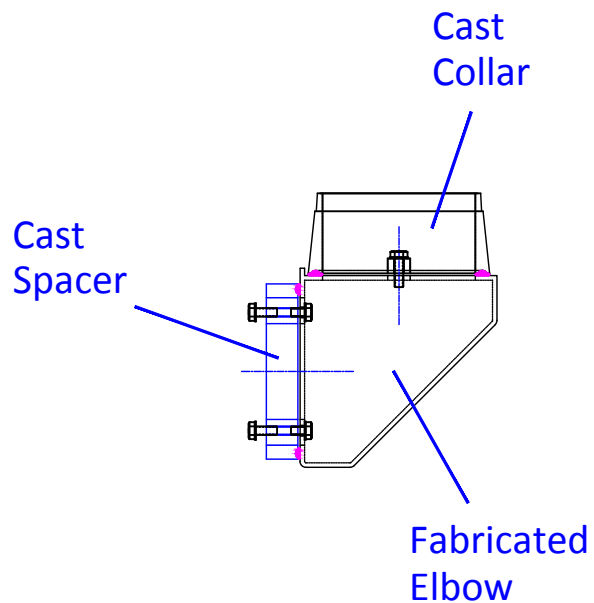
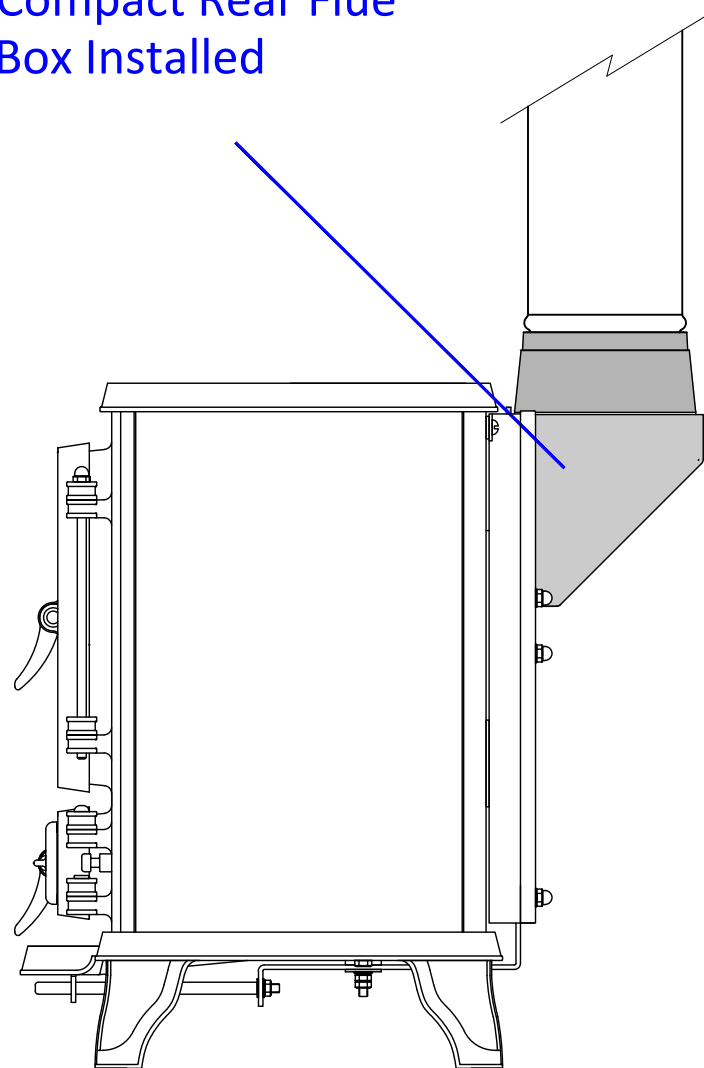




Compact Rear Flue Box Assembly



Compact Rear Flue Box Installed



ECO Hobbit Compact rear flue box