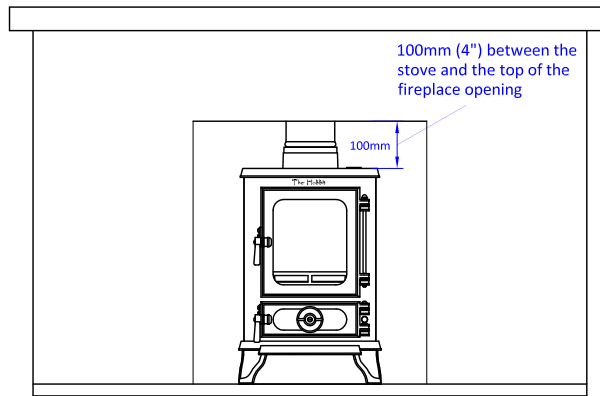


Installing a Hobbit stove into an existing fireplace

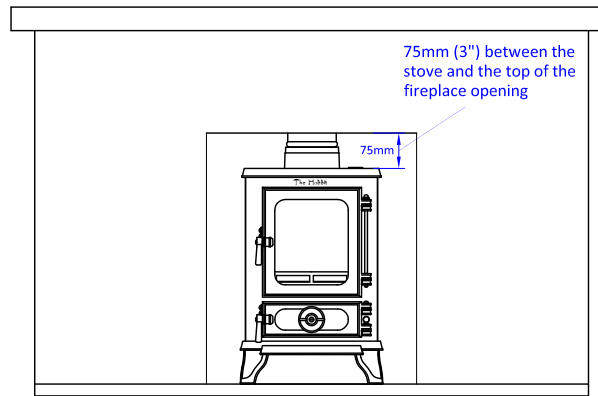


Examples showing the recommended clearances around the stove to ensure efficient heating of the room

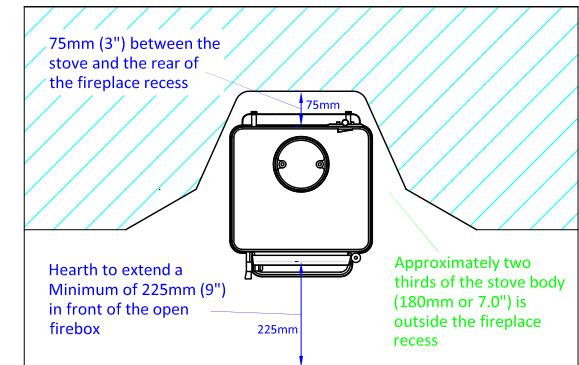
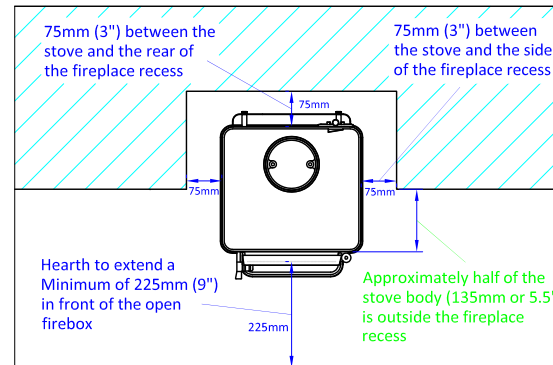
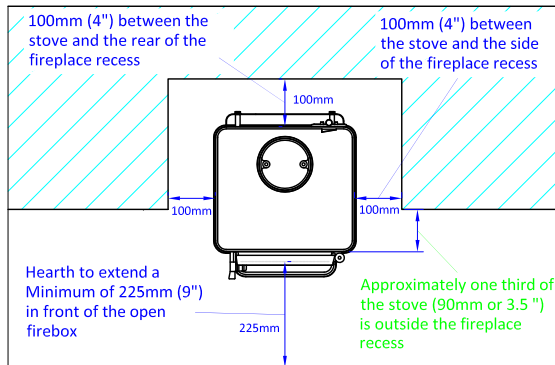
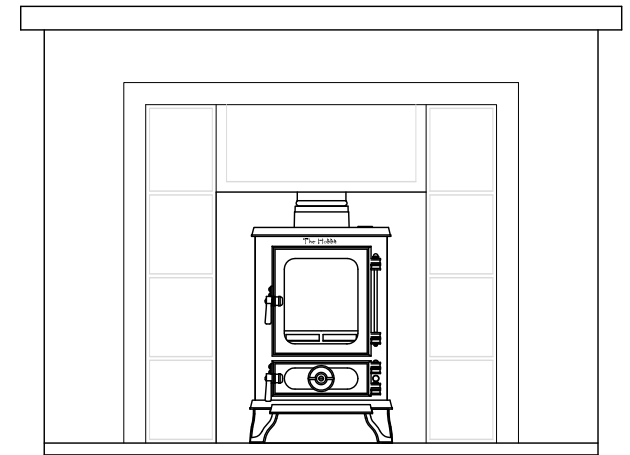
Medium sized fireplace



Small fireplace



Victorian style fireplace



Salamander Stoves - Home of The Hobbit